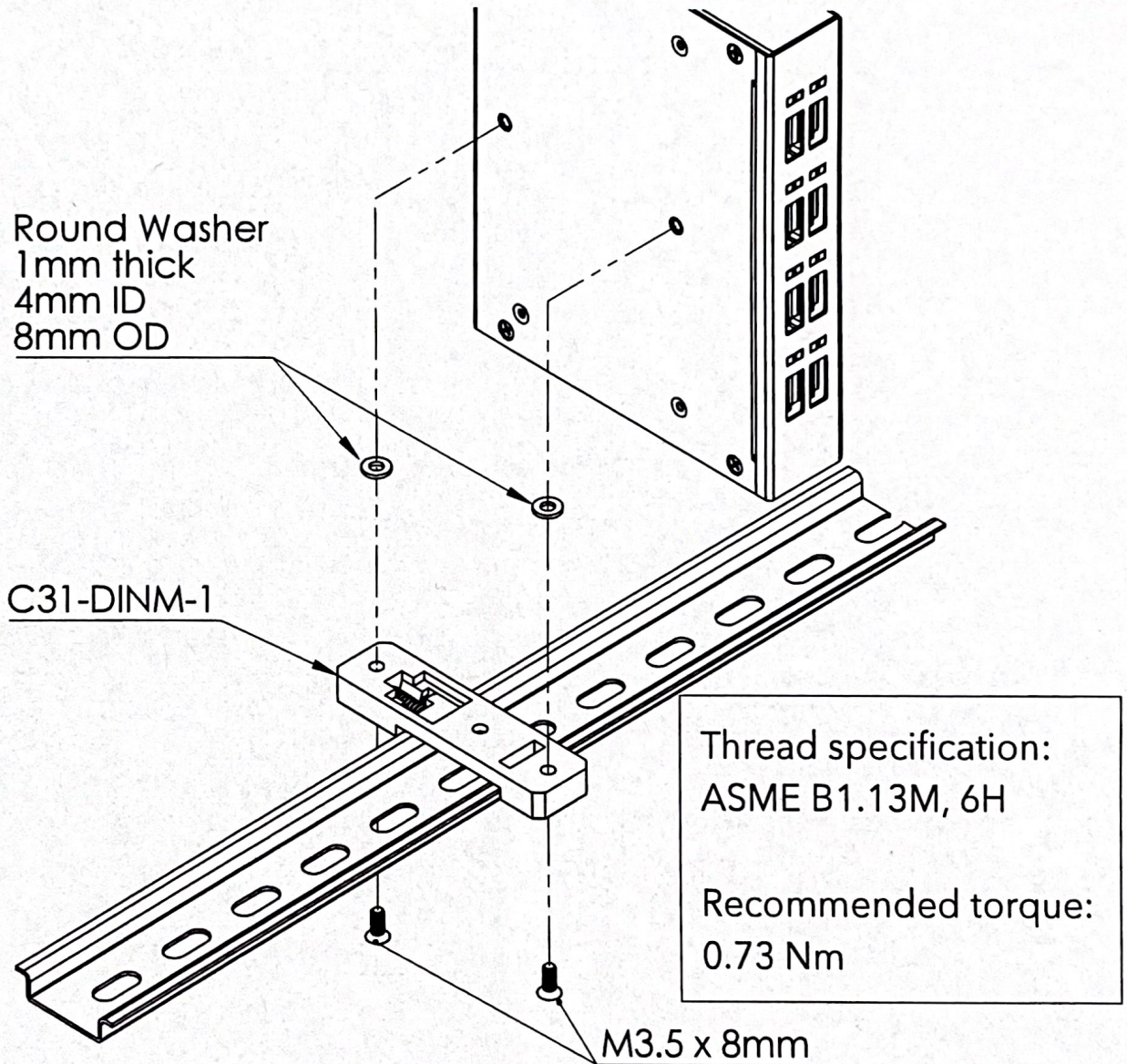


# ACRONAME

## DIN Rail Mounting



- Acroname recommends using **C31-DINM-1 Kit** as shown above
- Use only the screws and spacer washers as shown

**CAUTION: Using longer attachment screws may result in damage to your product which will void your product warranty**

For more information and support:  
[acroname.com/DINmount](http://acroname.com/DINmount)  
[support@acroname.com](mailto:support@acroname.com)